

# CASCADE

Moderate, inline pre-filter unit, accessory

**PUREX**  
CLEAN AIR FOR EVERYONE



## Description & features

The cascade inline pre-filter is an accessory unit allowing for an additional layer of particle filtration used to capture larger particulates.

- Removes large particles from the processed air
- Extends the life of the filters in the fume extractor
- Can be used on applications where large quantities of dust are produced
- Filter can be assessed to help deal with sticky particles
- Filter can be emptied and shaken to prolong life

## Filters



OR

Pre-filter Code

111107

Description

Needlefelt cascade

Pre-filter Code

111117

Description

F8 / F9 composite

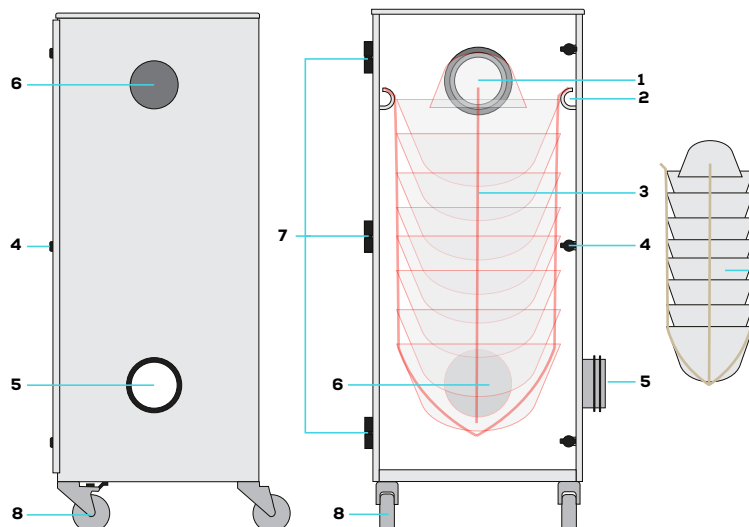
## Specification

<b>Part Number</b>	<b>890180</b>
<b>Cabinet Height</b>	1063mm
<b>Cabinet Width</b>	430mm
<b>Cabinet Depth</b>	430mm
<b>Cabinet Weight</b>	30kg

## Machine supplied with

- 1 x Cascade pre-filter
- 1 x Connection kit

## Technical



### LEGEND

- 1. Air inlet - 100mm safe seal
- 2. Cascade pre-filter hooks
- 3. Cascade pre-filter
- 4. Door latches
- 5. Air outlet - 100mm safe seal
- 6. Blanking plates
- 7. Door hinges
- 8. Castors

# CASCADE

Moderate, inline pre-filter unit, accessory

# Options

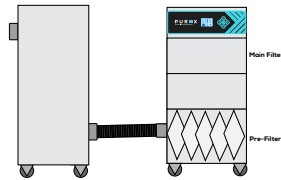
## Compatibility

For the inline cascade cabinet to work appropriately alongside a 400i it will need to use the included 100-80mm reducer fitting

Machines	Cascade	100mm - 80mm Reducer	Works as Intended
800i	✓	✗	✓
400i	✓	✗	✗
400i	✓	✓	✓

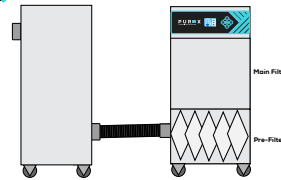
### 800i

Works as intended  
✓



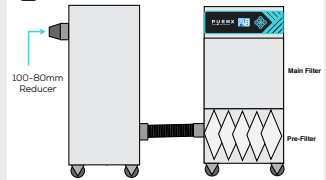
### 400i

Works as intended  
✗



### 400i

Works as intended  
✓



## Connection Kit

### 100186

Hose End Diameter	Hose Length	Purex Inlet Diameter
100mm	1.0m	100mm

