

800i 2-Tier

080503D (120v)
080502D (230v)

FUME FILTRATION



T. 336-288-1613 eMail: Sales@fumefiltration.com

JORLINK.com



FEATURES

- Clear & informative graphic display
- Highest grade HEPA and carbon technology
- Automatic electronic flow control - maintains a constant extraction rate even as the filter blocks
- Gas and particle sensors to warn the operator
- Adjustable airflow

SPECIFICATIONS

Voltage	120v	230v
Volume Part Number	080503D	080502D
Vacuum Part Number	080507D	080505D
Wattage	2.4kW	2.4kW
Frequency	50Hz / 60Hz	50Hz / 60Hz
Cabinet Height	1155mm	1155mm
Cabinet Width	571mm	571mm
Cabinet Depth	675mm	675mm
Cabinet Weight	83kg	83kg
Sound Level	60dBa	60dBa
Airflow	800m3/h	800m3/h

INCLUDED AS STANDARD...

FILTERS



Main Filter
Code
MPEF-113652

Description
HEPA/Chemical



Pre-filter
Code
MPEF-202280
Single111098

Description
F6 Labyrinth

Find out more:



www.FumeFiltration.com



sales@fumefiltration.com

sales@jorlink.com



(336) 288-1613

**Connection kits are available
see overleaf for options**

Machine Supplied With • 1 x Main Filter • 1 x Pre-filter • 1 x 4.5m Fixed Power Cable (no plug) • 1 x Manual

OPTIONS

Main Filter

Code:

MPEF-113660
 MPEF-113658
 MPEF-113667
 MPEF-113651
 MPEF-113650

Description:

HEPA/Twin Chemical
 HEPA/Chemical (Cleanroom)
 Solvent Lock
 Chemical
 HEPA

Pre-filter

Code:

MPEF-202272
 Single111004

Description:

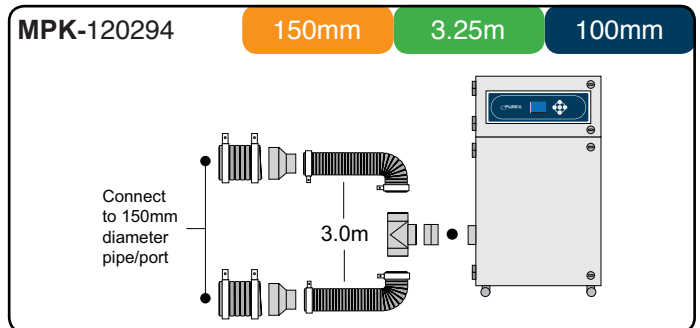
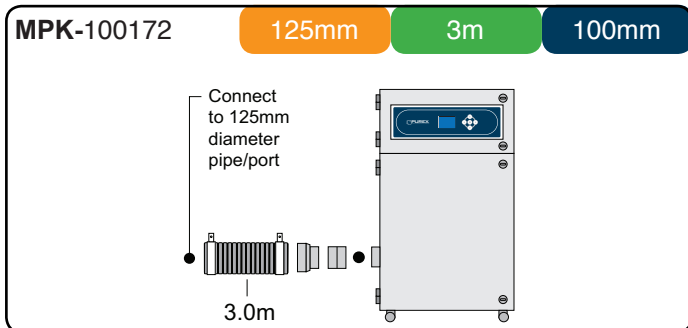
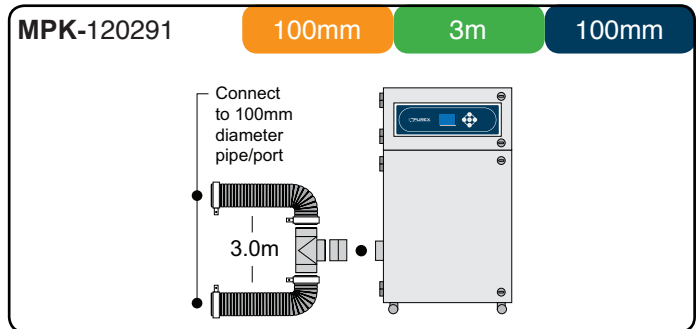
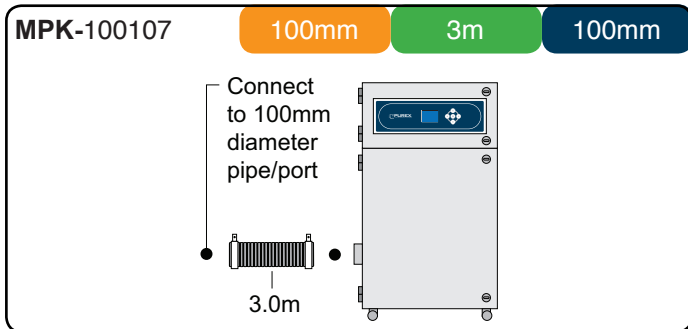
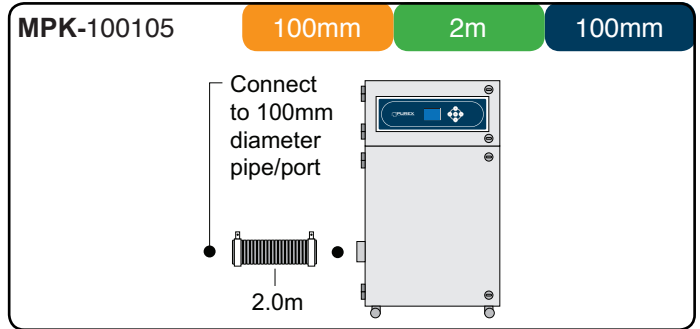
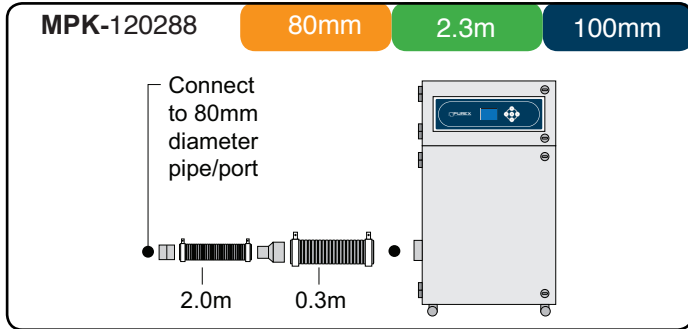
F8/F9

Connection Kits-OPTIONAL

Hose End Diameter

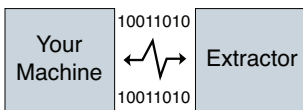
Hose Length

Purex Inlet Diameter



If you do not see a connection kit that fits your machine or pipework, please contact us or your representative

Interfacing



Interfacing can remotely start the Purex machine when the connected machine starts.

Interfacing can also warn the connected machine when the Purex machine is in alarm.

Take a look through our Interfacing Guide to see our extensive range of options

T. 336-288-1613 eMail: Sales@fumefiltration.com

Jorlink USA, Inc,
 3714 Alliance Dr., Suite 100
 Greensboro, NC 27407
 sales@jorlink.com
 sales@fumefiltration.com
 Tel (336) 288-1613